



# Gateway for PROFINET

## LB8122A.1.EL

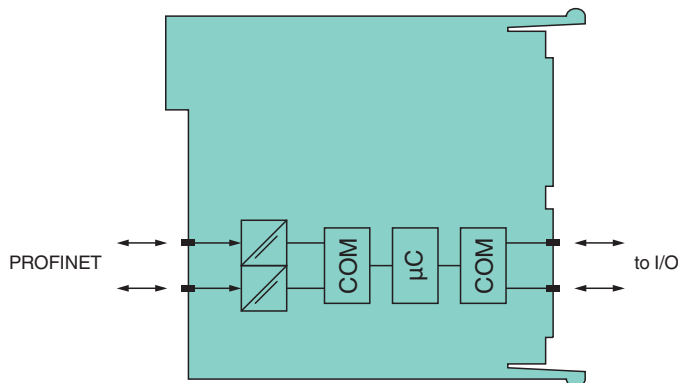
- Interface between the I/O modules and the PCS/PLC
- Mounting in Zone 2, Class I/Div.2 or in the safe area
- Non-volatile memory for configuration and parameter settings
- Communication via PROFINET
- HART communication via HART I/P



### Function

The PROFINET gateway is the interface between the I/O modules on the backplane and the control system. HART communication is via PROFINET or HART I/P. In addition to the input/output data of the I/O modules, the HART auxiliary variables can also be accessed in the process image.

### Connection



**Zone 2  
Div. 2**

### Technical Data

#### Supply

Connection	backplane bus	
Rated voltage	U <sub>r</sub>	12 V DC , only in connection with the power supplies LB9***
Nominal voltage	12 V DC ,	
Power dissipation	4.53 W	
Power consumption	4.53 W	

#### Fieldbus connection

Fieldbus type	PROFINET
---------------	----------

#### Ethernet Interface

Connection type	RJ-45 , via front connector
Transfer rate	10BASE-T, 100BASE-TX 100 MBit/s
Station connection	directly to PCS or PLC or via hubs or switches

Release date: 2021-11-15 Date of issue: 2021-11-15 Filename: 70120382\_eng.pdf

Refer to "General Notes Relating to Pepperl+Fuchs Product Information".

Pepperl+Fuchs Group  
www.pepperl-fuchs.com

USA: +1 330 486 0002  
pa-info@us.pepperl-fuchs.com

Germany: +49 621 776 2222  
pa-info@de.pepperl-fuchs.com

Singapore: +65 6779 9091  
pa-info@sg.pepperl-fuchs.com

**PF** PEPPERL+FUCHS

## Technical Data

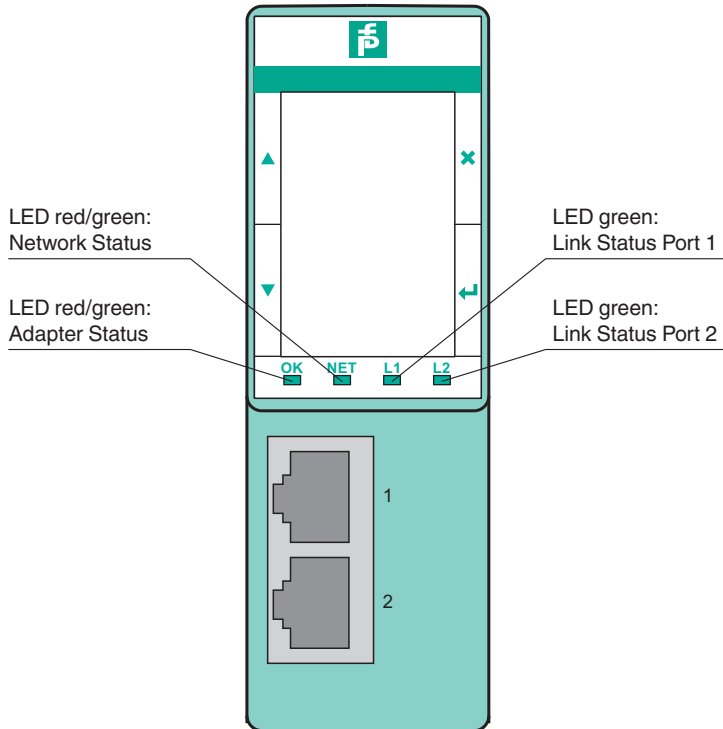
Cable type	SFTP in accordance with ISO/IEC 11801 for Cat 5e or better
Bus length	max. 100 m per link
Addressing	DHCP, via controller (DCP) or fixed IP address
Ethernet address	IP V4 address (preset: DHCP on, changeable via display)
Supported I/O modules	LB1x01*...LB1x03*, LB1x08*, LB1x09*, LB2x01*...LB2x17*, LB3x01*...LB3x06*, LB4x01*, LB4x02*, LB4x04*...LB4x06*, LB5x01*, LB5x02*, LB5x04*...LB5x06*, LB6x01*, LB6x05*, LB6x06*, LB6x08*, LB6x10*...LB6x17*, LB7x04*
HART communication	via PROFINET and HART I/P
PROFINET conformance class	CC B
<b>Internal bus</b>	
Connection	backplane bus
<b>Galvanic isolation</b>	
Ethernet/other circuits	basic insulation according to IEC/EN 61010-1, rated insulation voltage 35 V <sub>eff</sub> or 50 V DC
RS 485 interface/other circuits	basic insulation according to IEC/EN 61010-1, rated insulation voltage 35 V <sub>eff</sub> or 50 V DC
Insulation voltage	1500 V AC acc. to IEEE 802.3u
<b>Electrical isolation</b>	
Power supply, internal bus/other circuits	basic insulation according to IEC/EN 61010-1, rated insulation voltage 30 V DC
<b>Directive conformity</b>	
Electromagnetic compatibility	
Directive 2014/30/EU	EN 61326-1:2013
<b>Conformity</b>	
Degree of protection	IEC 60529
Fieldbus standard	IEEE 802.3
Environmental test	EN 60068-2-14
Shock resistance	EN 60068-2-27
Vibration resistance	EN 60068-2-6
Damaging gas	EN 60068-2-42
Relative humidity	EN 60068-2-56
<b>Ambient conditions</b>	
Ambient temperature	-20 ... 60 °C (-4 ... 140 °F)
Storage temperature	-25 ... 85 °C (-13 ... 185 °F)
Relative humidity	95 % non-condensing
Shock resistance	shock type I, shock duration 11 ms, shock amplitude 15 g, number of shocks 18
Vibration resistance	frequency range 10 ... 150 Hz; transition frequency: 57.56 Hz, amplitude/acceleration ± 0.075 mm/1 g; 10 cycles frequency range 5 ... 100 Hz; transition frequency: 13.2 Hz amplitude/acceleration ± 1 mm/0.7 g; 90 minutes at each resonance
Damaging gas	designed for operation in environmental conditions acc. to ISA-S71.04-1985, severity level G3
<b>Mechanical specifications</b>	
Degree of protection	IP20 (module) , mounted on backplane
Connection	via backplane
Mass	approx. 150 g
Dimensions	32.5 x 100 x 102 mm (1.28 x 3.9 x 4 inch)
<b>Data for application in connection with hazardous areas</b>	
Certificate	DEMKO 16 ATEX 1780 X
Marking	Ⓔ II 3 G Ex ec IIC T4 Gc
Directive conformity	
Directive 2014/34/EU	EN IEC 60079-0:2018-07 EN IEC 60079-7/A1:2018-01
<b>International approvals</b>	
ATEX approval	DEMKO 16 ATEX 1780 X
IECEx approval	IECEx UL 16.0141 X

Release date: 2021-11-15 Date of issue: 2021-11-15 Filename: 70120382\_eng.pdf

**Technical Data**

Approved for	Ex ec IIC T4 Gc
<b>General information</b>	
System information	The module has to be mounted in appropriate backplanes (LB9***) in Zone 2 or outside hazardous areas. Here, observe the corresponding declaration of conformity. For use in hazardous areas (e. g. Zone 2, Zone 22 or Div. 2) the module must be installed in an appropriate enclosure.
Supplementary information	EC-Type Examination Certificate, Statement of Conformity, Declaration of Conformity, Attestation of Conformity and instructions have to be observed where applicable. For information see <a href="http://www.pepperl-fuchs.com">www.pepperl-fuchs.com</a> .

**Assembly**



Release date: 2021-11-15 Date of issue: 2021-11-15 Filename: 70120382\_eng.pdf

Refer to "General Notes Relating to Pepperl+Fuchs Product Information".